

KOHLER® Faucets

Touchless retrofit toilet flushometer, DC-powered, 1.28
gpf
Mach® WAVE
K-40TD00N10-RF

Features

- 1.28 gpf (4.8 lpf)
- Activation distance is factory-set
- Chloramine and chlorine resistance on all rubber components exposed to waterway
- Engineered for optimal performance with KOHLER® commercial fixtures
- 125-micron filter protects internal components
- No external flush volume adjustment ensures water conservation
- 24-hour automatic sentinel flush keeps trapway fresh
- Mechanical override enables flushometer to be used manually even during a power outage
- Includes 1.5V AA alkaline batteries
- Less stop valve and tailpiece

Material

- Brass construction with durable Polished Chrome finish

Technology

- Flushometer activates when hand is waved over electronic infrared WAVE sensor
- Patented piston technology for superior flush volume accuracy

Installation

- Intended for toilet installations with 1-1/2" (38 mm) top spud coupling connection

Recommended Products/Accessories

K-23723 Faucet cleaner
1421939
1509698

Optional Products/Accessories

GP1118986
K-10313 Flushometer 12" rough-in kit



ADA CSA B651 OBC

Codes/Standards

ASME A112.18.1/CSA B125.1
ASSE 1037/ASME A112.1037/CSA B125.37
ADA
ICC/ANSI A117.1
CSA B651
OBC

KOHLER® One-Year Limited Warranty

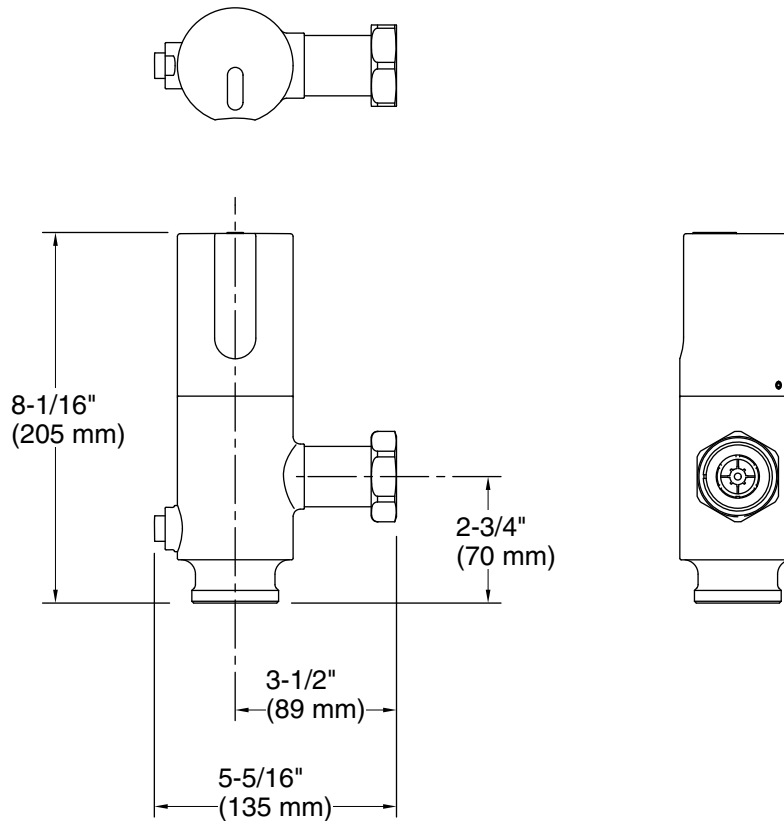
See website for detailed warranty information.

Available Colors/Finishes

Color tiles intended for reference only.

Color	Code	Description
	CP	Polished Chrome

KOHLER Faucets Touchless retrofit toilet flushometer, DC-powered, 1.28
gpf
Mach® WAVE
K-40TD00N10-RF



Technical Information

All product dimensions are nominal.

Pressure/fixture Supply Requirements

Fixture pressure max (static):	80 psi (551.6 kPa)
Fixture pressure min (static):	35 psi (241.3 kPa)
Min flowing pressure:	25 psi (172.4 kPa)
Min flow rate:	25 gpm (94.6 lpm)

Notes

Install this product according to the installation instructions.

ADA, OBC, CSA B651 compliant when installed to the specific requirements of these regulations.

For ADA installations, rear grab bar may need to be split or shifted.